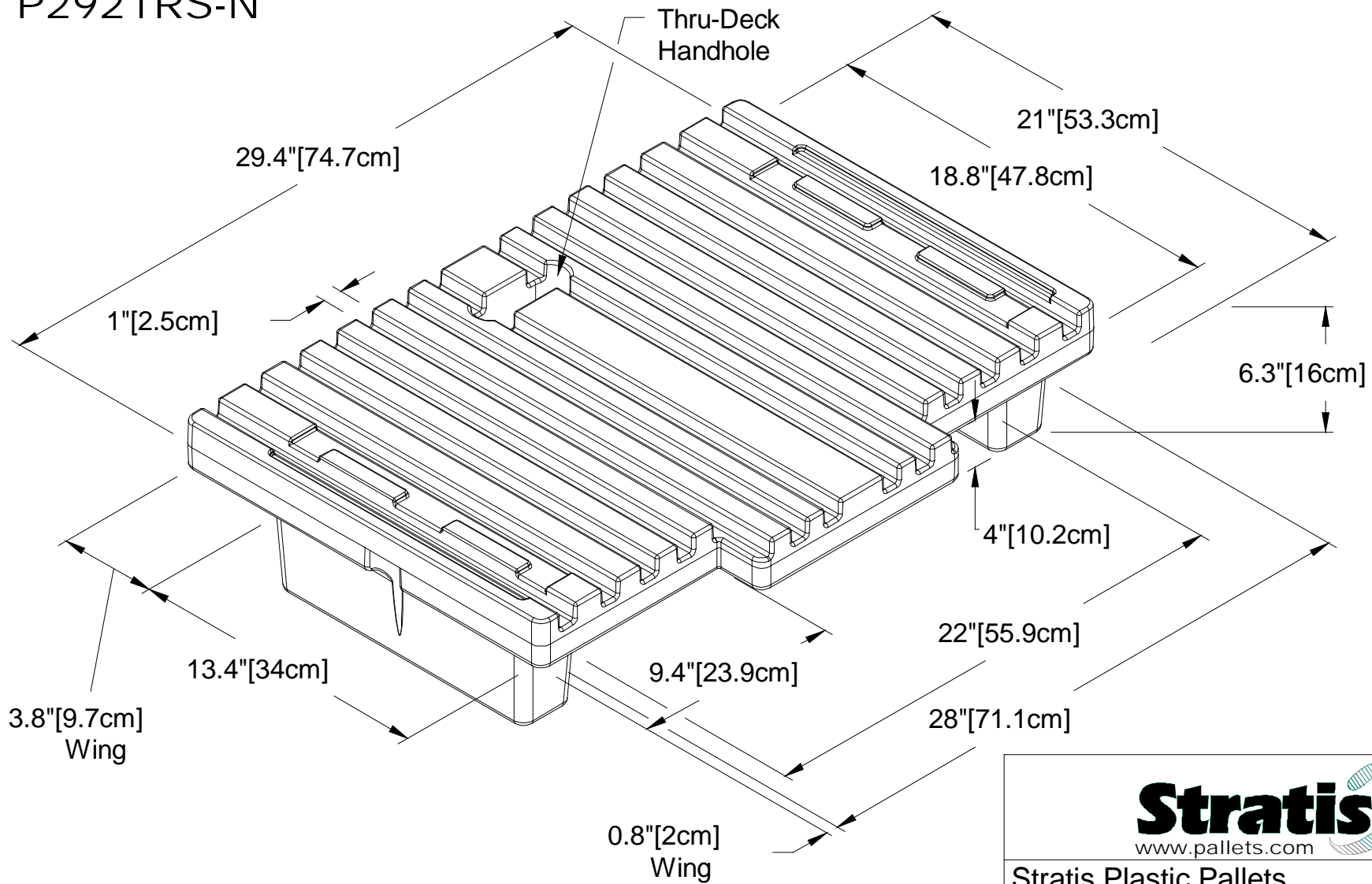


P2921RS-N



Stratis[®]
www.pallets.com

Stratis Plastic Pallets

29.4" x 21" x 6.3"

74.7cm x 53.3cm x 16cm

Part # P2921RS29-N

Steel Reinforced, Banding Notches

Special 4-Way Entry

Deck-Lok Safety Stacking System

Enhanced Flip-Flop Stacking

Patents Pending

PROPERTY OF STRATIS CORPORATION
5677 WEST 73rd STREET
INDIANAPOLIS, IN 46278 USA
Tel (317)328-8000
FAX (317)328-8080
sales@pallets.com www.pallets.com

05-04-04