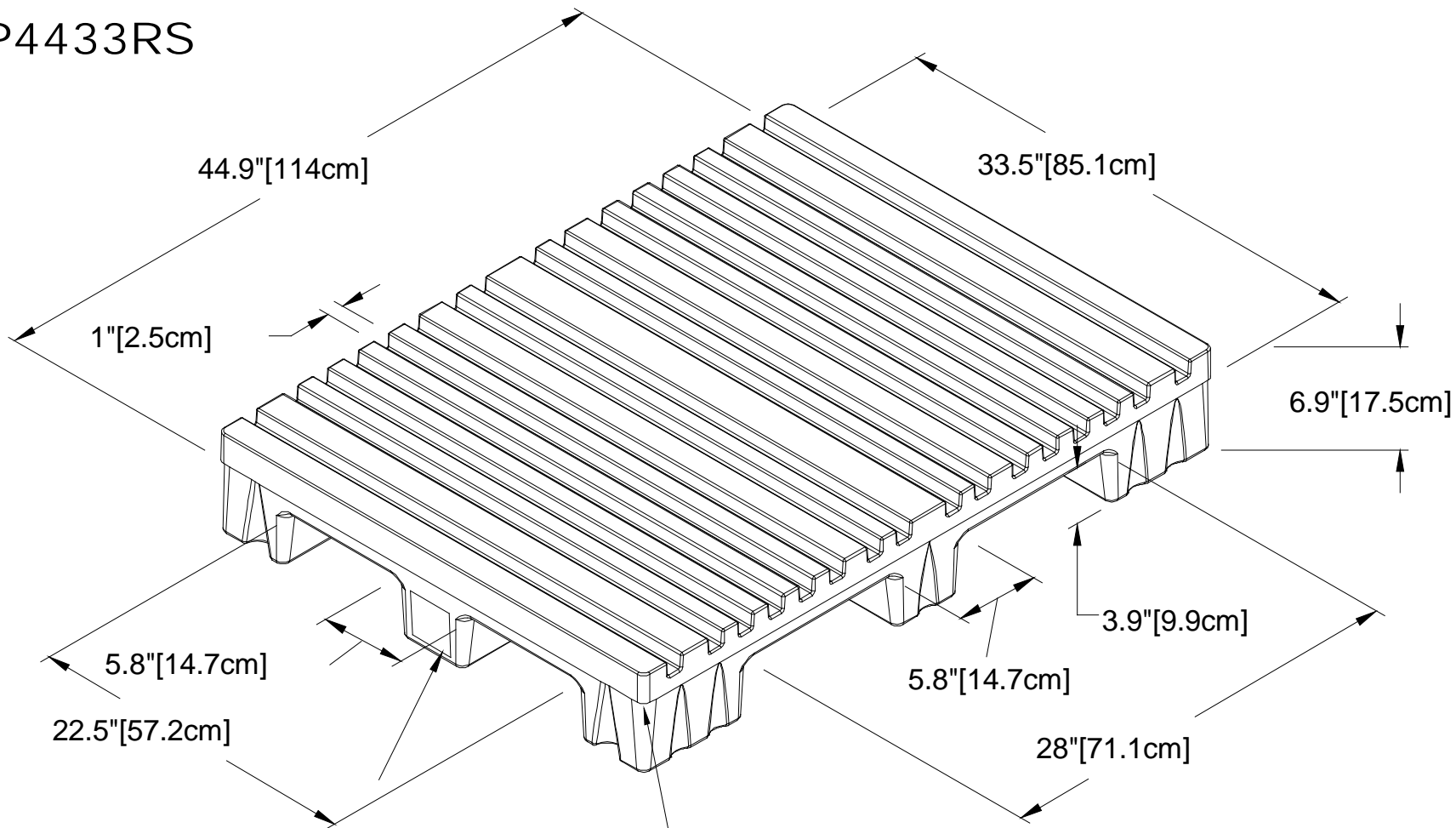


# P4433RS



Optional Customer  
Name Plate

Stretch Wrap  
Retention Wings



## Stratis Plastic Pallets

44.9" x 33.5" x 6.9"

114cm x 85.1cm x 17.5cm

Part # P4433RSOO or S44

Without or With Steel Reinforcement

4-Way Entry, Under-Deck Handholds

Patents Pending

PROPERTY OF STRATIS CORPORATION

5677 WEST 73rd STREET  
INDIANAPOLIS, IN 46278 USA

Tel (317)328-8000

FAX (317)328-8080

sales@pallets.com

www.pallets.com

05-04-04