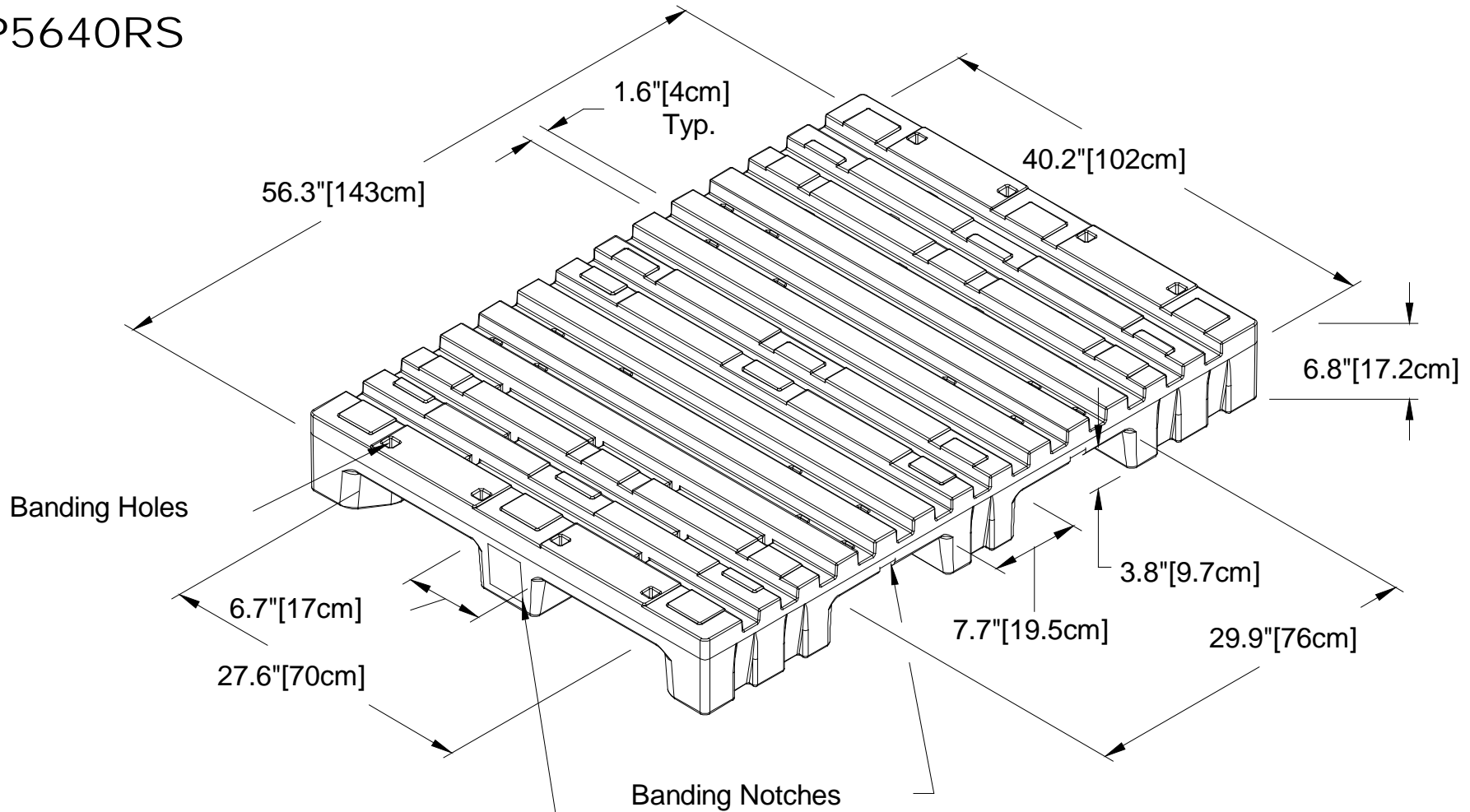


P5640RS



Stratis Plastic Pallets

56.3" x 40.2" x 6.8"

143cm x 102cm x 17.2cm

Part # P5640RS28 or S56

With Steel Reinforcement

4-Way Entry, Under-Deck Handholds

Thru-Deck Handholes, Conveyorable

Deck-Lok[®] Safety Stacking System

Patents Pending

PROPERTY OF STRATIS CORPORATION
5677 WEST 73rd STREET
INDIANAPOLIS, IN 46278 USA
Tel (317)328-8000
FAX (317)328-8080
sales@pallets.com www.pallets.com

05-05-05