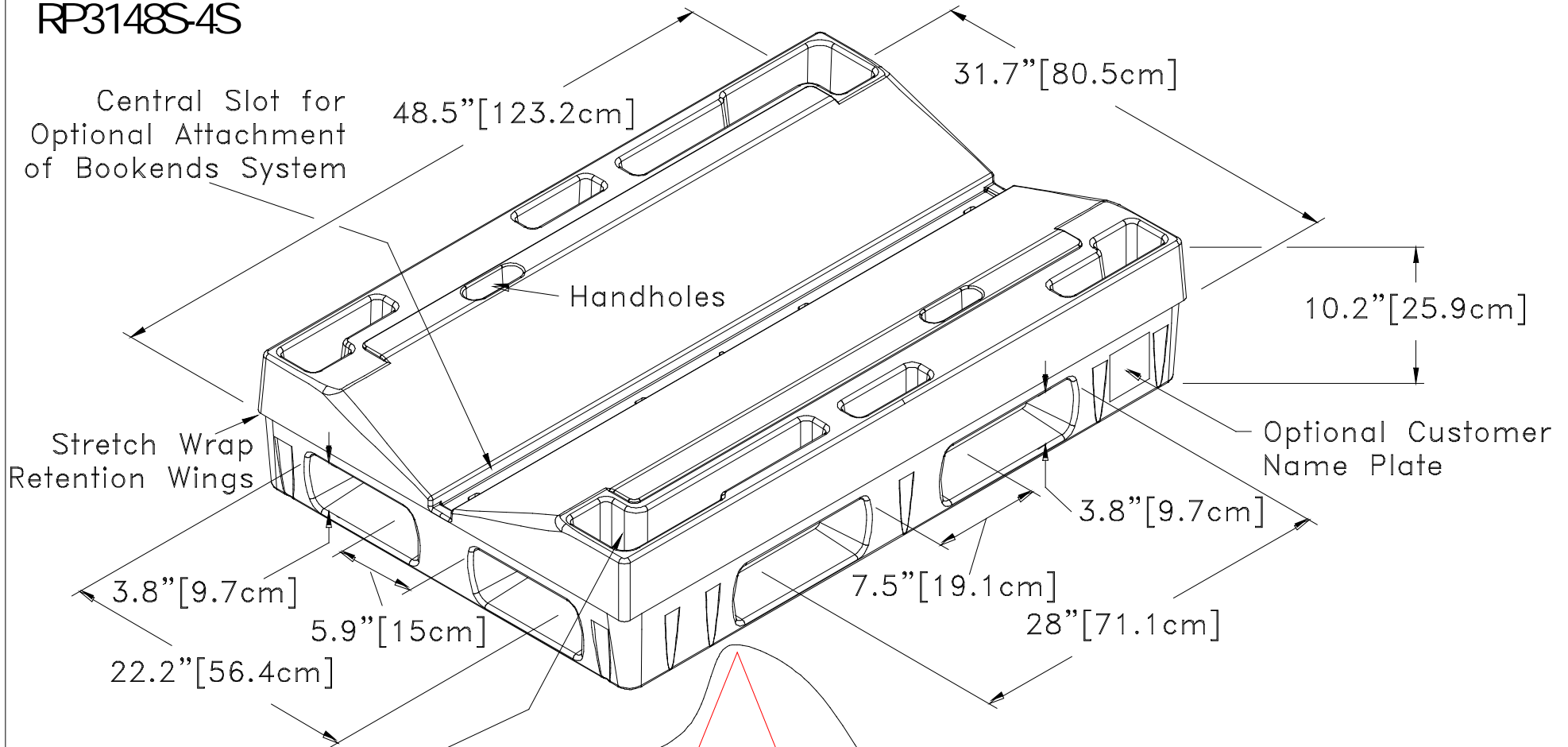
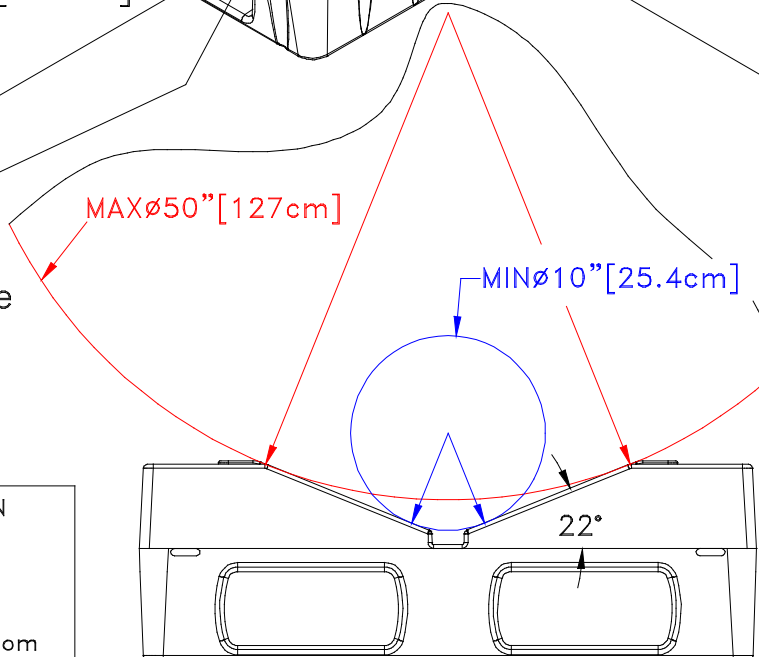


RP3148S-4S



Molded in Pockets for Bookends Storage



Stratis Plastic Roll Pallets
 31.7" x 48.5" x 10.2"
 80.5cm x 123.2cm x 25.9cm
 Part # RP3148S00-4S or S48,
 Without or With Steel Reinforcement
 4-Way Entry, ForkLift Safety Straps
 Safety Stacking Feature
 One Piece Molded Pallet
 Patents Pending

PROPERTY OF STRATIS CORPORATION
 5677 WEST 73rd STREET
 INDIANAPOLIS, IN 46278 USA
 Tel (317)328-8000
 FAX (317)328-8080
 sales@pallets.com www.pallets.com