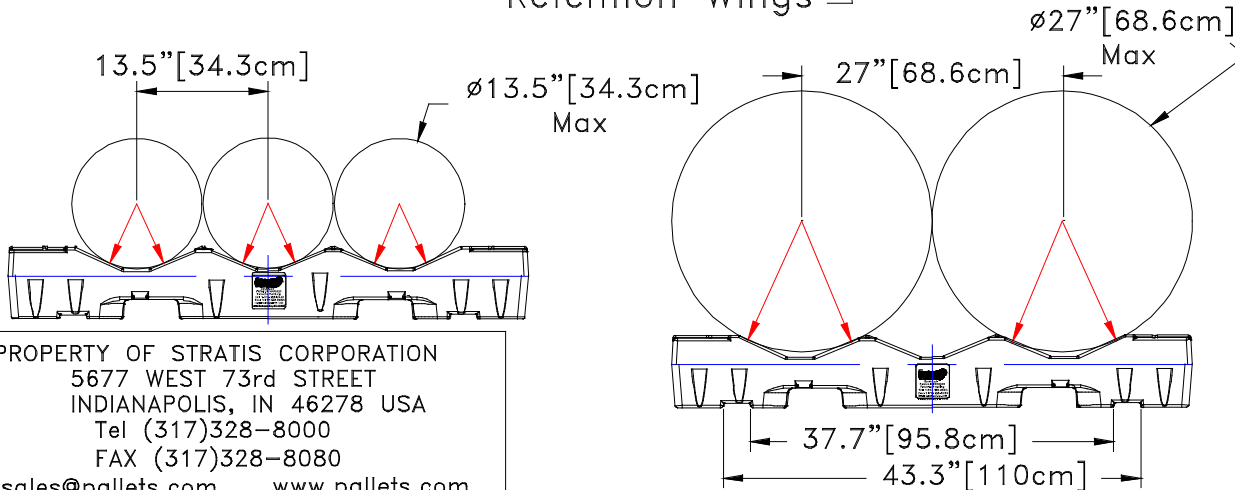
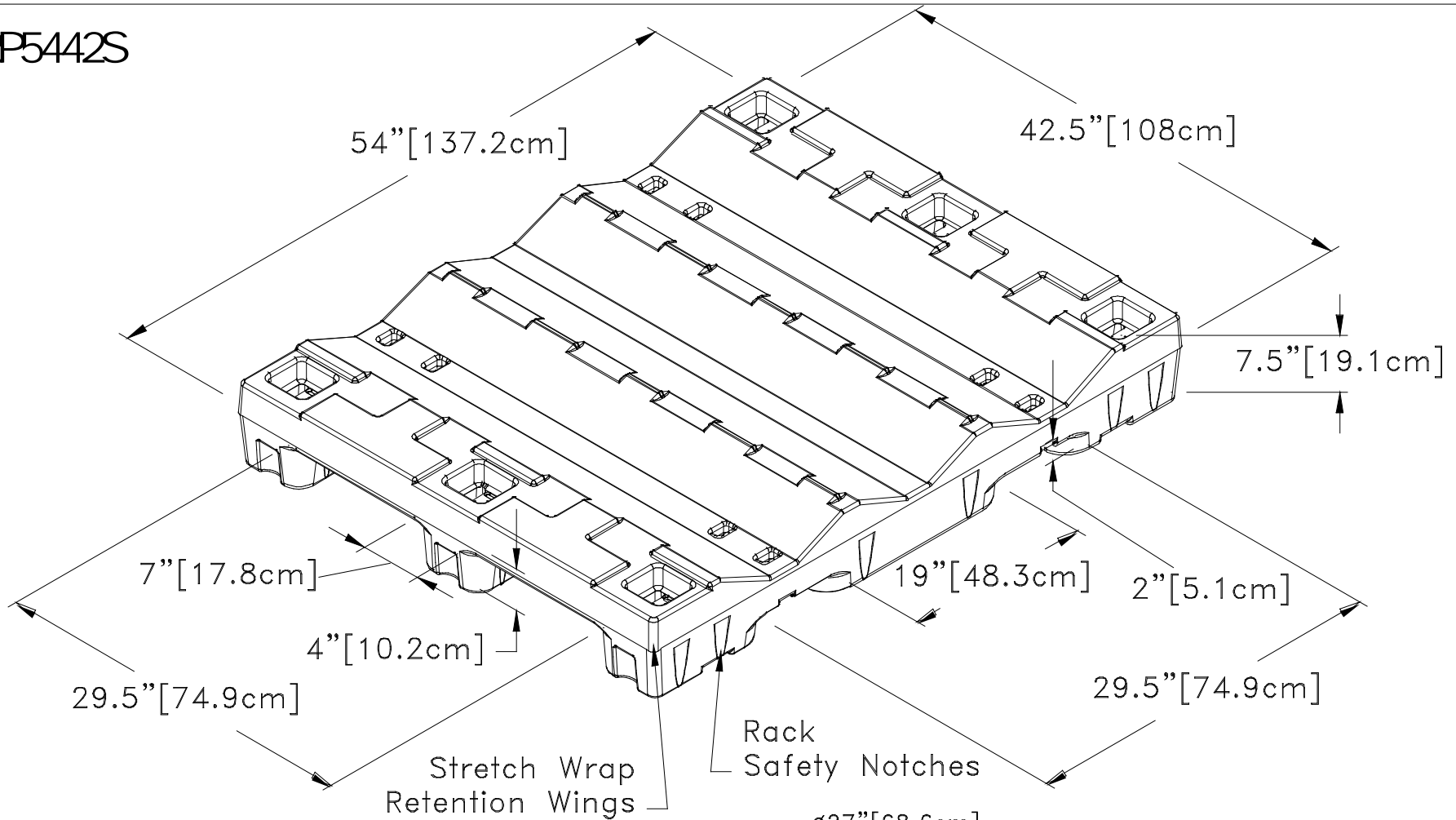


RP5442S



Stratis Plastic Roll Pallets
54" x 42.5" x 7.5"
137.2cm x 108cm x 19.1cm
Part # RP5442S00 or S54
Without or With Steel Reinforcement
4-Way Fork-Lift Entry,
Under-Deck Handholds
Stackable
Patents Pending

PROPERTY OF STRATIS CORPORATION
5677 WEST 73rd STREET
INDIANAPOLIS, IN 46278 USA
Tel (317)328-8000
FAX (317)328-8080
sales@pallets.com www.pallets.com

04-20-07