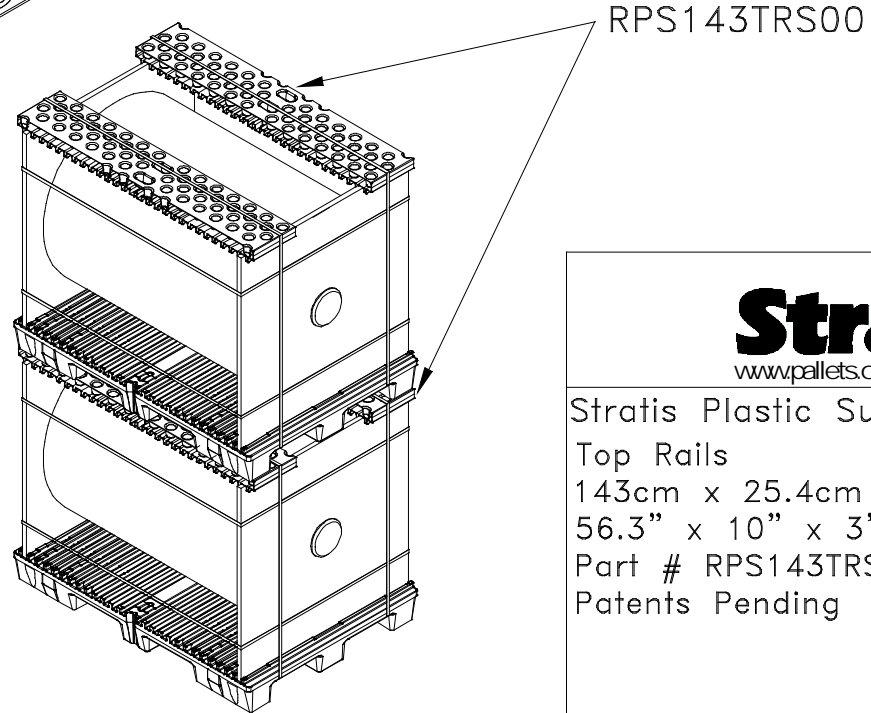
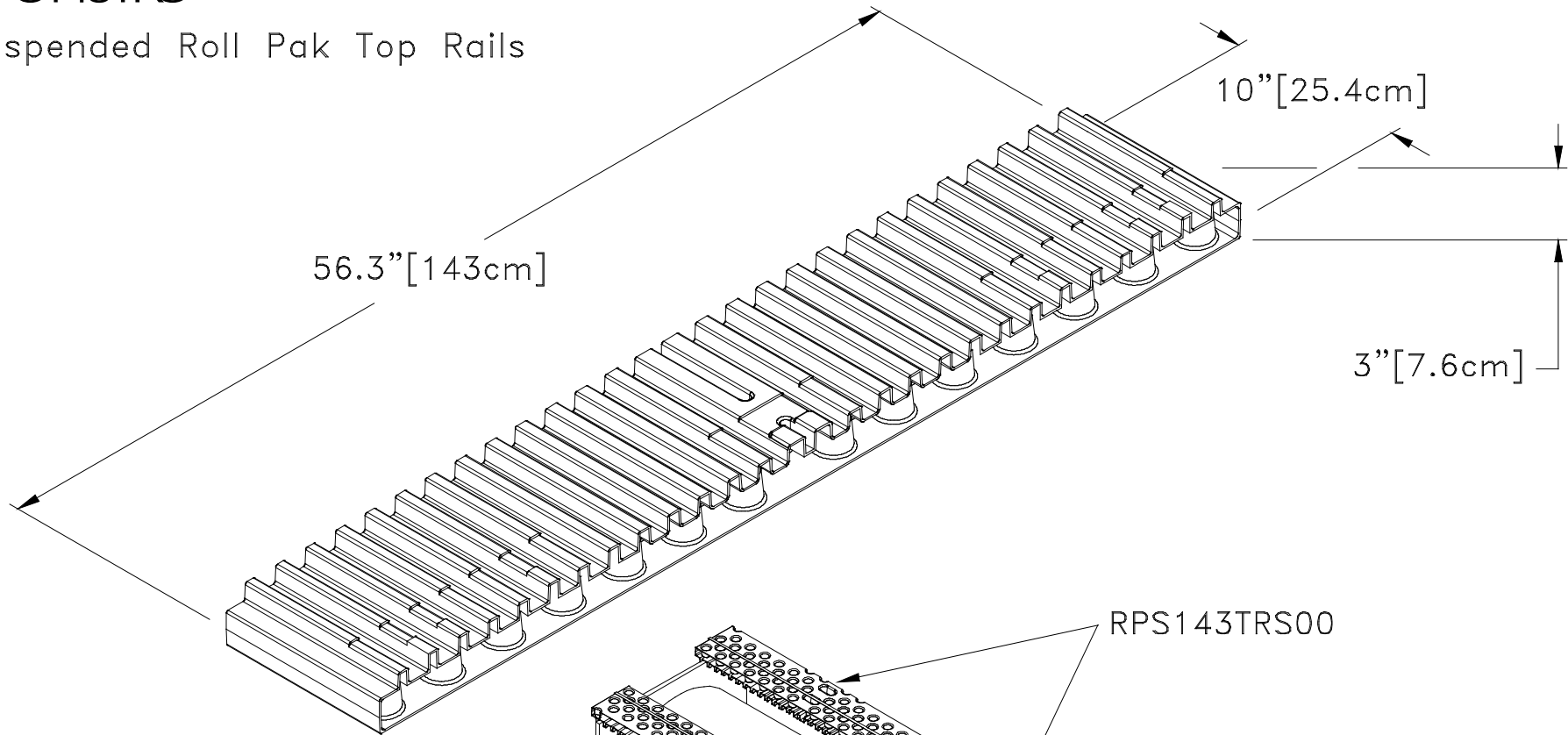


RPS143TRS

Suspended Roll Pak Top Rails



RPS143TRS00



Stratis Plastic Suspended Roll Pallets
Top Rails
143cm x 25.4cm x 7.6cm
56.3" x 10" x 3"
Part # RPS143TRS00
Patents Pending

PROPERTY OF STRATIS CORPORATION
5677 WEST 73rd STREET
INDIANAPOLIS, IN 46278 USA
Tel (317)328-8000
FAX (317)328-8080
sales@pallets.com www.pallets.com

02-07-06