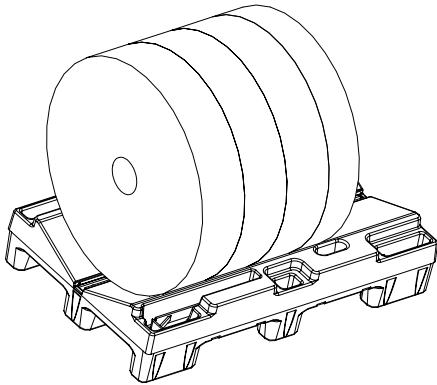
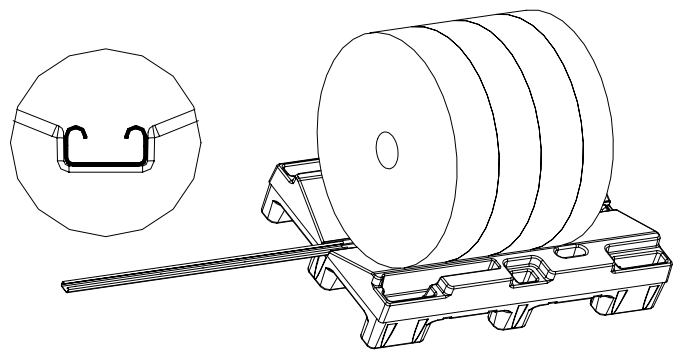


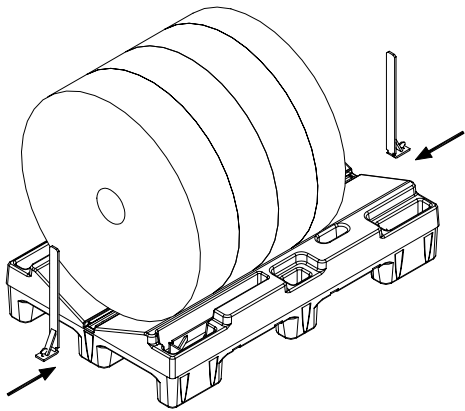
Assembly Instructions for use of loaded RP3048 Series Stratis Roll Pallet when “Bookends” long channel is not attached to the pallet



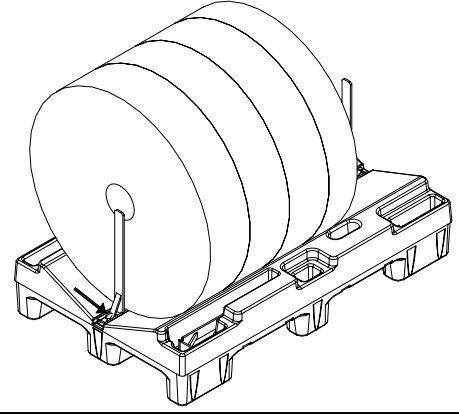
1. Un-wrap or cut bands on pallet load as desired



2. Insert long channel into slot in bottom of cradle between rolls and pallet



3. Insert two black end-pieces into channel on both ends



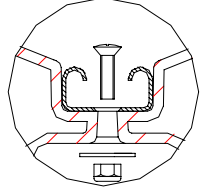
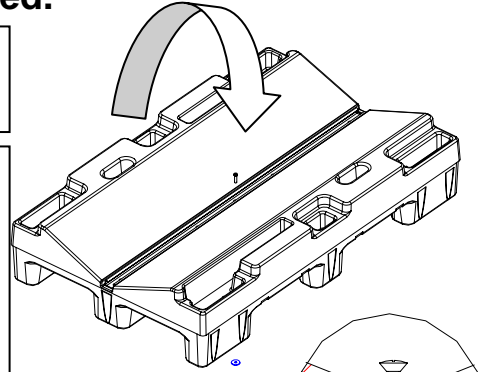
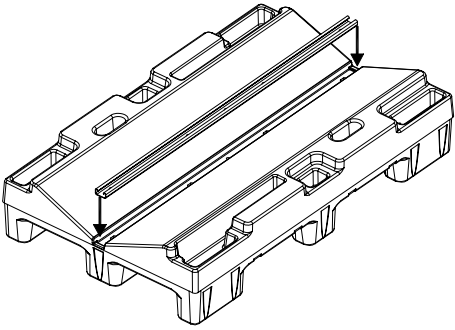
4. Position end-pieces against rolls. Tighten thumbscrews on both end-pieces by hand before moving pallet

Assembly Instructions for attaching the “long channel” to the RP3048 Series Stratis Roll Pallet when permanent “Bookends” is desired.

1. Place long channel in slot at bottom of cradle

2. Secure channel with Oval Phillips Machine Screw(s) on top through countersunk center hole(s) and washer(s) plus lock-nut(s) on bottom. Tighten snugly only with screwdriver and socket wrench. Do not over tighten.

3. Refer to #3 and #4 above



For additional help call Stratis Plastic Pallets – 317-328-8000 - Indianapolis, IN USA