

# Food and Pharmaceutical Pallets



- Clean and sanitary
- HACCP/FDA/USDA approved plastic
- Withstand temperatures down to -40°
- Patented safety stacking features
- 10+ years life
- Rackable



**3 RUNNER**

**FREEZER**

**Effective In  
All Your Process Areas**

**SLIP SHEET**



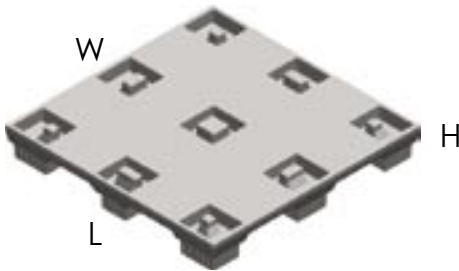


## Food & Pharmaceutical Pallets

Stratis® Plastic Pallets are HACCP/FDA/USDA approved and withstand temperatures to -40°. Stratis® pallets are one piece solid wall molded and have the right combination of rigidity and flexibility to be rackable yet not crack like other plastics. Optimal for raw material storage and work-in-process, Stratis® pallets will help you get the job done.

### P4444S00-SW

44"(L) x 44"(W) x 6"(H)  
112 x 112 x 15 cm



### P4840DS88-HDCT

48" x 40" x 5.5"  
122 x 102 x 14 cm



### P4840S00-SSSW

48" x 40" x 6"  
122 x 102 x 15 cm



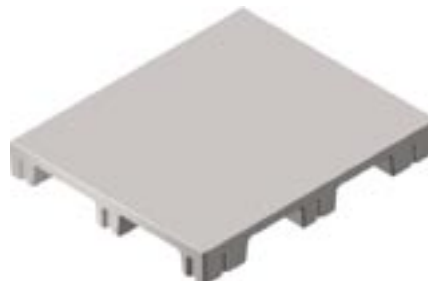
### P4840NST-SW

48" x 40" x 6"  
122 x 102 x 15 cm



### P4840S128-SW

48" x 40" x 6"  
122 x 102 x 15 cm



### P4840LS128-3RSW

48" x 40" x 6.2"  
122 x 102 x 16 cm



### P5539RS55-DSW

55" x 39.5" x 7"  
140 x 100 x 18 cm

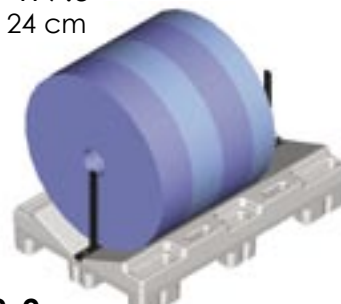


### P6343RS63-DSW

63.5" x 43" x 7"  
162 x 109 x 18 cm

### RP3048S00-SW

30" x 48" x 9.5"  
76 x 122 x 24 cm



### RPE3048-2

optional "bookends"

View Our Complete Line  
of Products at

[www.pallets.com](http://www.pallets.com)



STRATIS CORPORATION

5677 W. 73<sup>rd</sup> St. Indianapolis, IN 46278, USA

TEL +1-317-328-8000 FAX +1-317-328-8080

EMAIL [sales@pallets.com](mailto:sales@pallets.com)

1-800-PALLETS (725-5387) or +1-317-328-8000